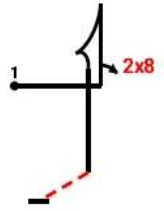
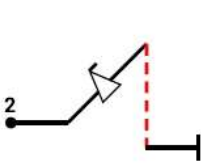
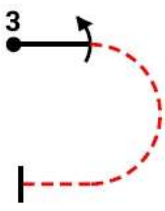
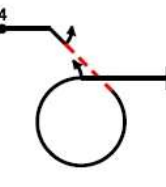
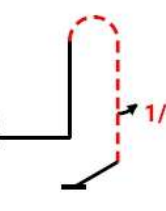
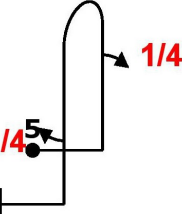
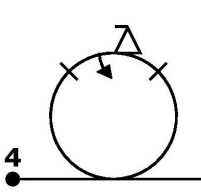
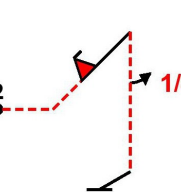
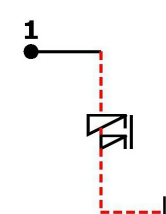
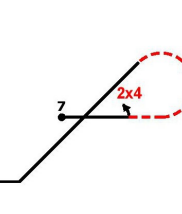


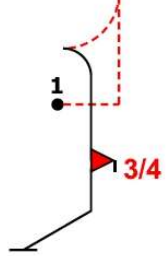
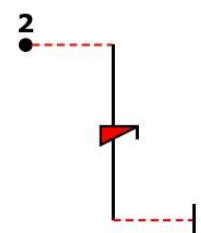
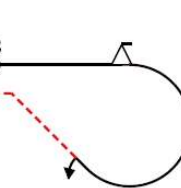
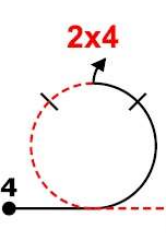
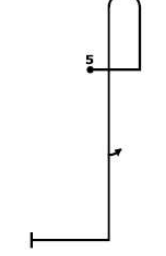
UNL4

 <p>Fig A 6.2.1.3(18) 9.8.1.1(11) K: 29</p>	 <p>Fig B 1.2.1.1(13) 9.9.2.4(19) K: 32</p>	 <p>Fig C 7.2.1.3(8) 9.1.3.4(12) K: 20</p>	 <p>Fig D 8.7.4.3(13) 9.1.4.2(6) 9.1.3.2(6) K: 25</p>	 <p>Fig E 8.4.3.1(15) 9.1.5.1(3) K: 18</p>
-------------------------------------------------------------------------------------------------------------------------------------------------	-------------------------------------------------------------------------------------------------------------------------------------------------	------------------------------------------------------------------------------------------------------------------------------------------------	----------------------------------------------------------------------------------------------------------------------------------------------------------------	--------------------------------------------------------------------------------------------------------------------------------------------------

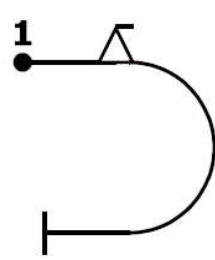
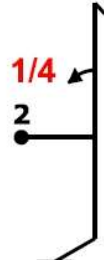
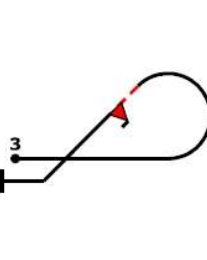
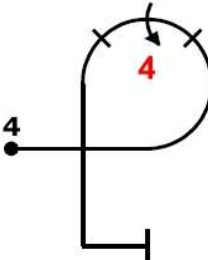
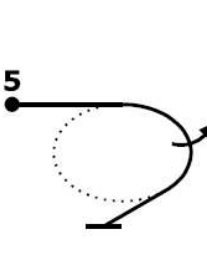
UNL5

 <p>Fig A 8.4.1.1(13) 9.1.1.1(9) 9.1.5.1(3) K: 25</p>	 <p>Fig B 7.4.1.1(10) 9.9.3.2(12) 9.1.3.2(6) K: 28</p>	 <p>Fig C 1.2.4.2(14) 9.10.2.2(18) 9.1.5.1(3) K: 35</p>	 <p>Fig D 1.1.7.3(11) 9.11.1.6(7) K: 18</p>	 <p>Fig E 8.5.7.1(12) 9.4.3.2(8) K: 20</p>
---------------------------------------------------------------------------------------------------------------------------------------------------------------	----------------------------------------------------------------------------------------------------------------------------------------------------------------	-----------------------------------------------------------------------------------------------------------------------------------------------------------------	--------------------------------------------------------------------------------------------------------------------------------------------------	--------------------------------------------------------------------------------------------------------------------------------------------------

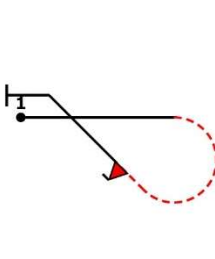
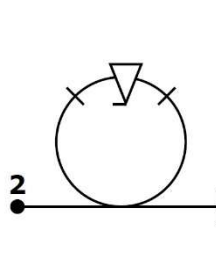
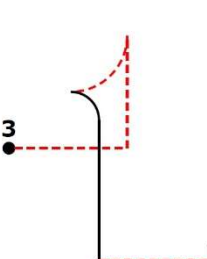
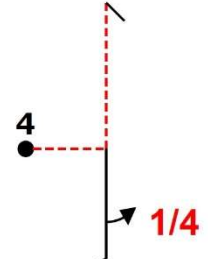
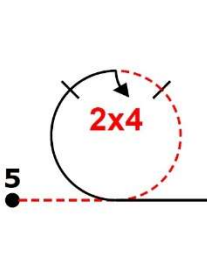
UNL6

 <p>Fig A 6.2.2.4(22) 9.10.5.3(17) K: 39</p>	 <p>Fig B 1.1.6.4(10) 9.12.1.4(7) K: 17</p>	 <p>Fig C 8.5.8.3(11) 9.9.3.2(12) 9.1.2.2(9) K: 32</p>	 <p>Fig D 7.4.2.1(12) 9.4.3.2(8) K: 20</p>	 <p>Fig E 8.4.1.1(13) 9.1.5.2(6) K: 19</p>
----------------------------------------------------------------------------------------------------------------------------------------------------	---------------------------------------------------------------------------------------------------------------------------------------------------	------------------------------------------------------------------------------------------------------------------------------------------------------------------	---------------------------------------------------------------------------------------------------------------------------------------------------	----------------------------------------------------------------------------------------------------------------------------------------------------

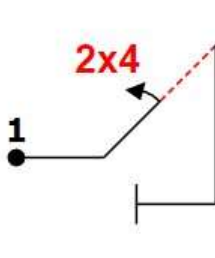
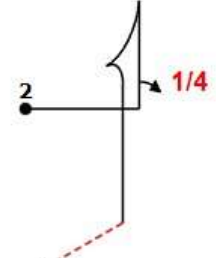
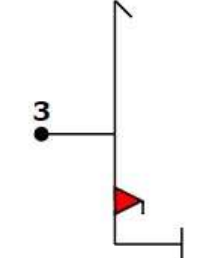
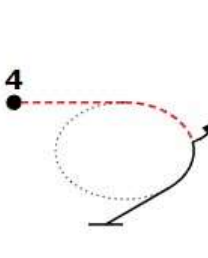
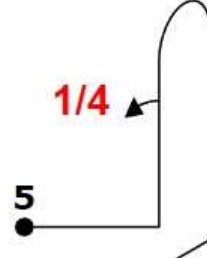
UNL11

 <p>Fig A 7.2.3.3(6) 9.9.3.2(12) K: 18</p>	 <p>Fig B 5.2.1.1(17) 9.1.1.1(9) K: 26</p>	 <p>Fig C 8.5.6.1(10) 9.10.4.2(15) K: 25</p>	 <p>Fig D 8.6.5.1(11) 9.4.3.4(17) K: 28</p>	 <p>Fig E 2.1.3.3(21) K: 21</p>
------------------------------------------------------------------------------------------------------------------------------------------------	------------------------------------------------------------------------------------------------------------------------------------------------	--------------------------------------------------------------------------------------------------------------------------------------------------	--------------------------------------------------------------------------------------------------------------------------------------------------	-----------------------------------------------------------------------------------------------------------------------------------

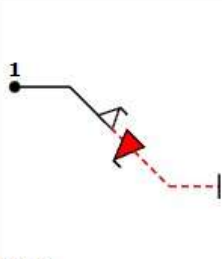
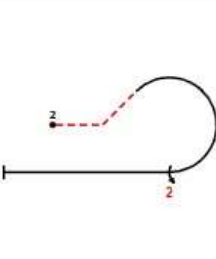
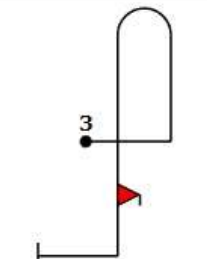
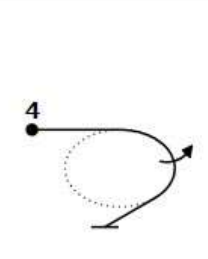
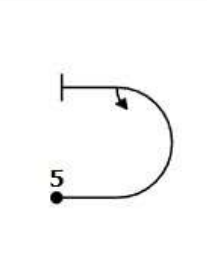
UNL12

 <p>8.5.6.3(14) 9.10.2.2(18) K: 32</p>	 <p>7.4.1.1(10) 9.9.3.4(16) K: 26</p>	 <p>6.2.2.2(23) K: 23</p>	 <p>5.2.1.4(22) 9.1.5.1(3) K: 25</p>	 <p>7.4.2.2(12) 9.4.3.2(8) K: 20</p>
---------------------------------------------------------------------------------------------------------------------------------	--------------------------------------------------------------------------------------------------------------------------------	----------------------------------------------------------------------------------------------------------------	--------------------------------------------------------------------------------------------------------------------------------	---------------------------------------------------------------------------------------------------------------------------------

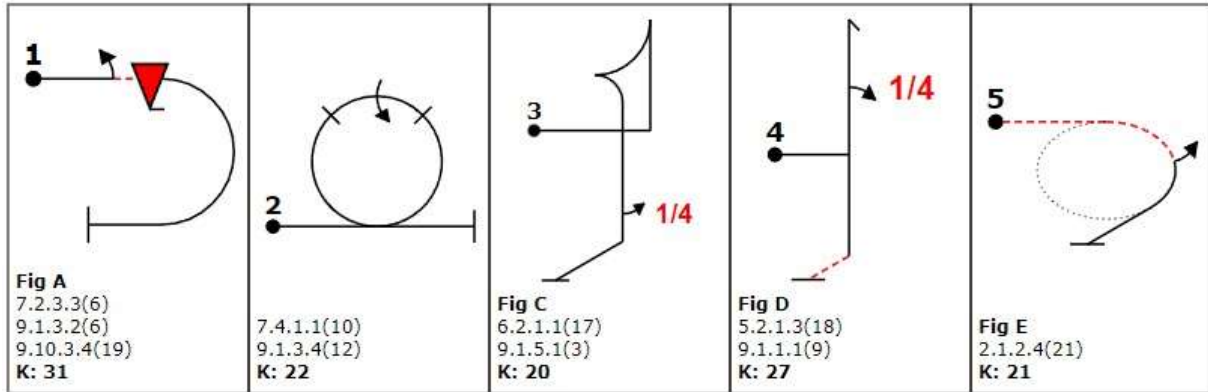
UNL13

 <p>Fig A 1.2.3.1(12) 9.4.2.2(11) K: 23</p>	 <p>Fig B 6.2.1.3(18) 9.1.1.1(9) K: 27</p>	 <p>Fig C 5.2.1.1(17) 9.10.5.2(15) K: 32</p>	 <p>Fig D 2.1.2.4(21) K: 21</p>	 <p>8.4.1.1(13) 9.1.1.1(9) K: 22</p>
---------------------------------------------------------------------------------------------------------------------------------------------------	--------------------------------------------------------------------------------------------------------------------------------------------------	----------------------------------------------------------------------------------------------------------------------------------------------------	------------------------------------------------------------------------------------------------------------------------------------	-----------------------------------------------------------------------------------------------------------------------------------

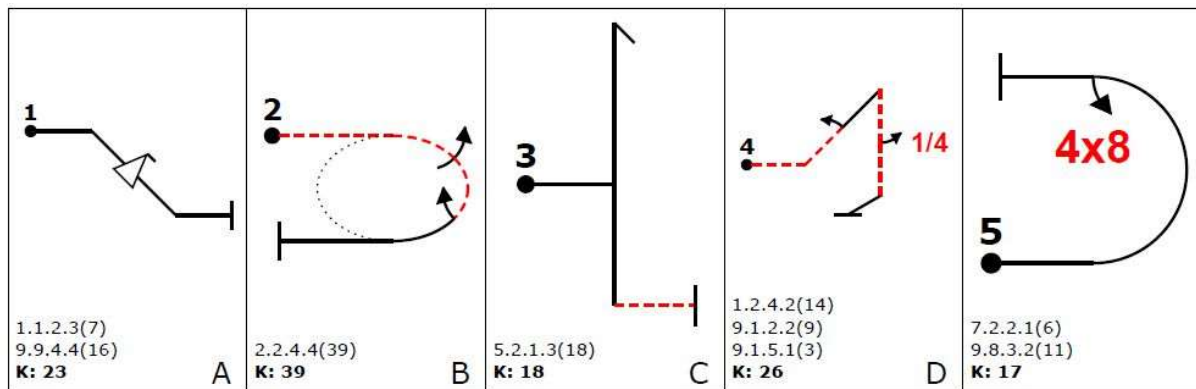
UNL14

 <p>Fig A 1.1.3.3(8) 9.9.4.2(12) 9.10.4.4(19) K: 39</p>	 <p>Fig B 8.5.1.2(10) 9.2.3.4(14) K: 24</p>	 <p>Fig C 8.4.1.1(13) 9.10.10.2(15) K: 28</p>	 <p>2.1.3.3(21) K: 21</p>	 <p>Fig E 7.2.2.1(6) 9.1.3.2(6) K: 12</p>
-------------------------------------------------------------------------------------------------------------------------------------------------------------------	---------------------------------------------------------------------------------------------------------------------------------------------------	-----------------------------------------------------------------------------------------------------------------------------------------------------	-------------------------------------------------------------------------------------------------------------------	---------------------------------------------------------------------------------------------------------------------------------------------------

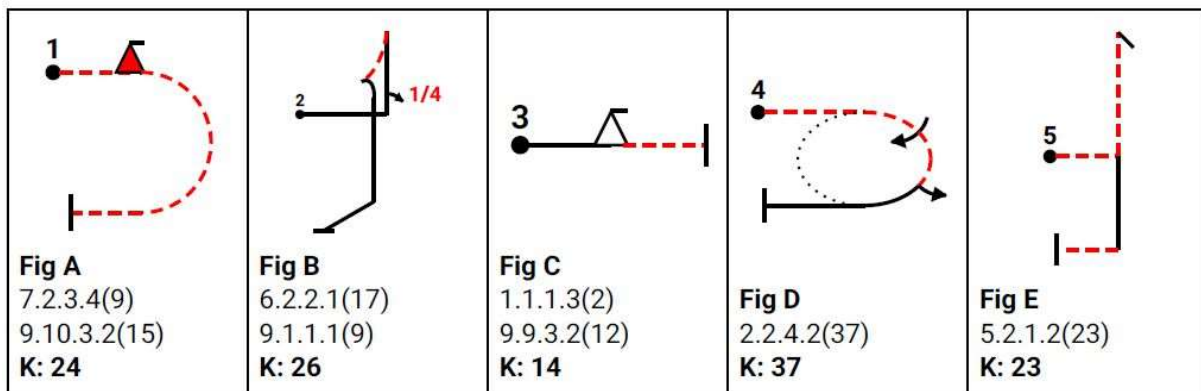
UNL15



UNL16



UNL17



UNL18

