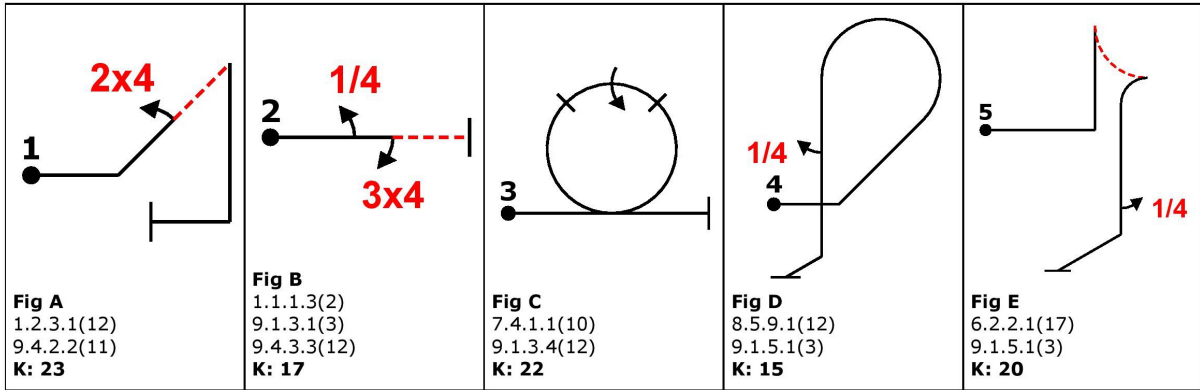


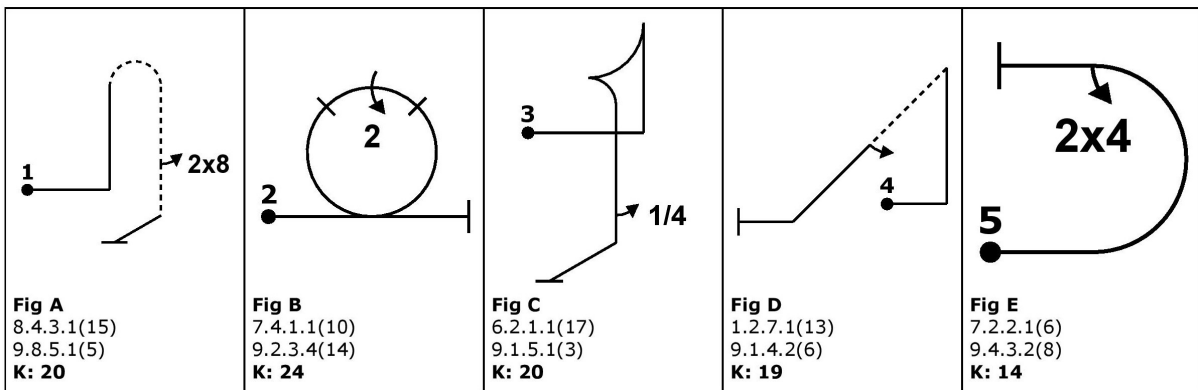
# Glider Advanced Free Known 2024 Proposal

Stand: 06.09.2023

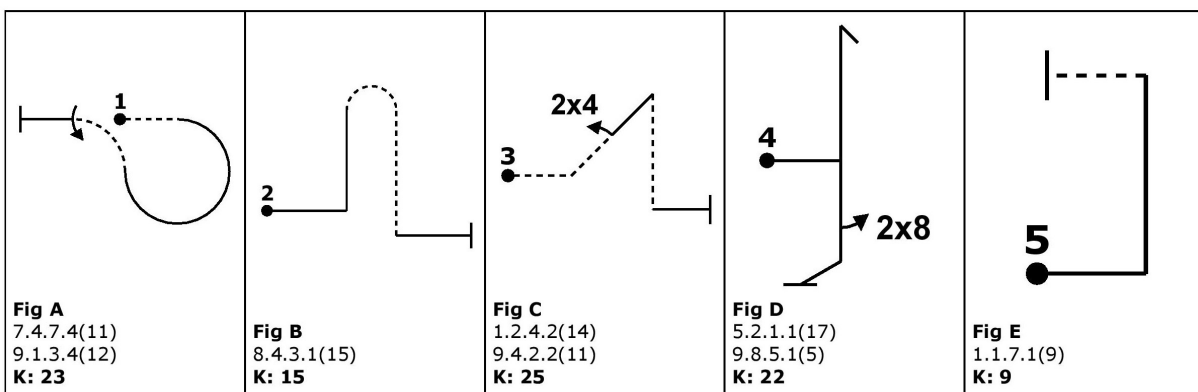
## ADV1



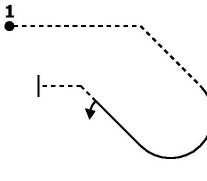
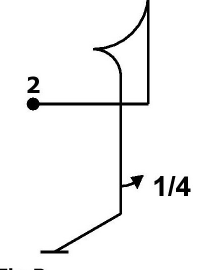
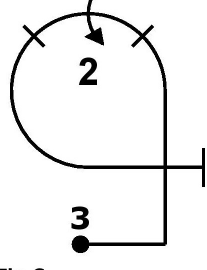
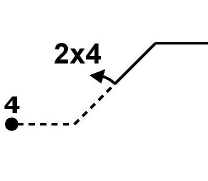
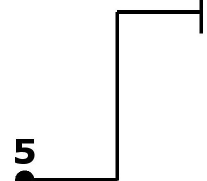
## ADV2



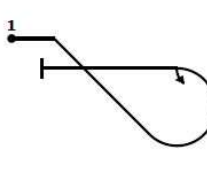
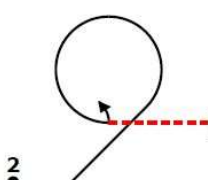
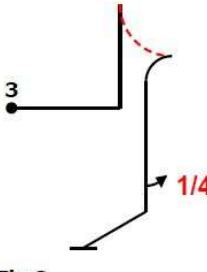
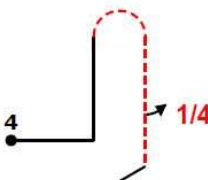
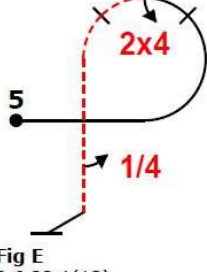
## ADV3



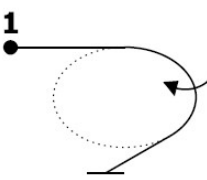
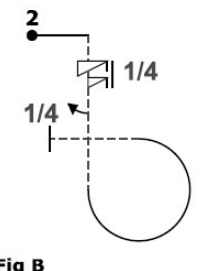
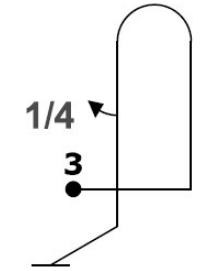
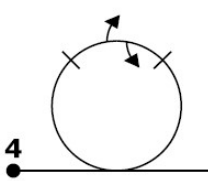
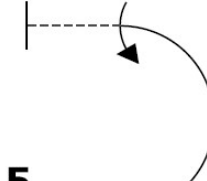
## ADV4

 <p><b>Fig A</b> 8.4.14.4(13) 9.1.2.2(9) K: 22</p>	 <p><b>Fig B</b> 6.2.1.1(17) 9.1.5.1(3) K: 20</p>	 <p><b>Fig C</b> 8.6.1.1(11) 9.2.3.4(14) K: 25</p>	 <p><b>Fig D</b> 1.1.3.2(8) 9.4.2.2(11) K: 19</p>	 <p><b>Fig E</b> 1.1.6.1(10) K: 10</p>
---	--	---	---	---

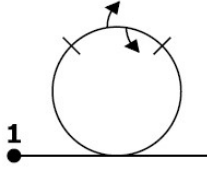
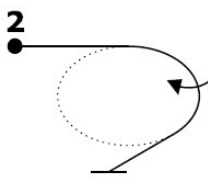
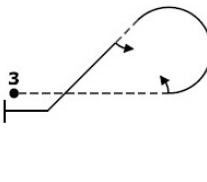
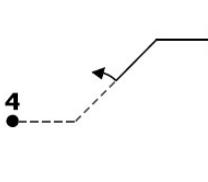
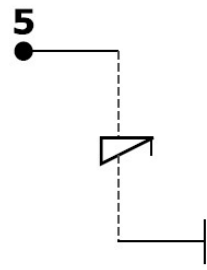
## ADV5

 <p><b>Fig A</b> 8.5.3.3(10) 9.1.3.2(6) K: 16</p>	 <p><b>Fig B</b> 8.7.3.1(12) 9.1.3.2(6) K: 18</p>	 <p><b>Fig C</b> 6.2.2.1(17) 9.1.5.1(3) K: 20</p>	 <p><b>Fig D</b> 8.4.3.1(15) 9.1.5.1(3) K: 18</p>	 <p><b>Fig E</b> 8.6.22.1(13) 9.4.3.2(8) 9.1.5.1(3) K: 24</p>
--	--	---	---	---

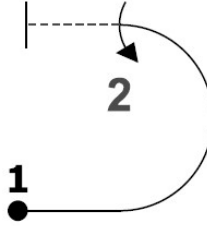
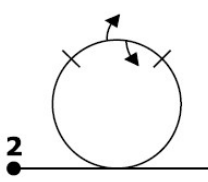
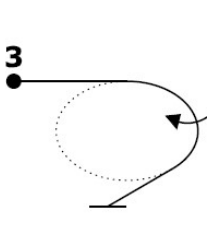
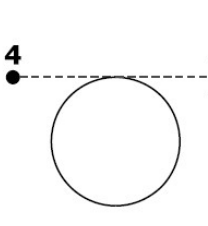
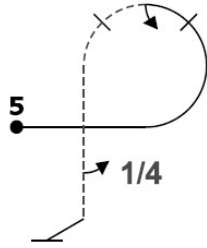
## ADV6

 <p><b>Fig A</b> 2.1.3.1(19) K: 19</p>	 <p><b>Fig B</b> 8.6.3.3(13) 9.11.1.5(6) 9.1.5.1(3) K: 22</p>	 <p><b>Fig C</b> 8.4.1.1(13) 9.1.5.1(3) K: 16</p>	 <p><b>Fig D</b> 7.4.1.1(10) 9.1.3.2(6) 9.1.3.2(6) K: 22</p>	 <p><b>Fig E</b> 7.2.1.1(6) 9.1.3.4(12) K: 18</p>
---	--	--	--	--

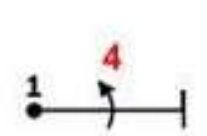
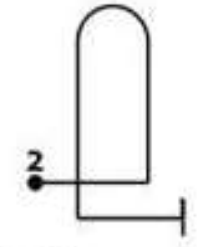
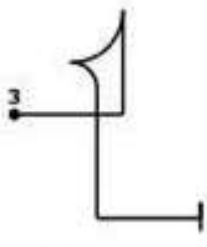
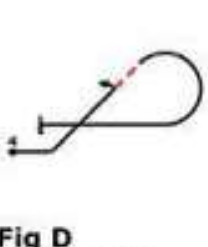
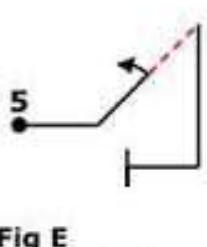
### ADV7

 <p><b>Fig A</b> 7.4.1.1(10) 9.1.3.2(6) 9.1.3.2(6) <b>K: 22</b></p>	 <p><b>Fig B</b> 2.1.3.1(19) <b>K: 19</b></p>	 <p><b>Fig C</b> 8.5.8.2(11) 9.1.3.2(6) 9.1.4.2(6) <b>K: 23</b></p>	 <p><b>Fig E</b> 1.1.3.2(8) 9.1.2.2(9) <b>K: 17</b></p>	 <p>1.1.6.3(10) 9.11.1.4(5) <b>K: 15</b></p>
--	--	--	---	---

### ADV8

 <p><b>Fig A</b> 7.2.1.1(6) 9.2.3.4(14) <b>K: 20</b></p>	 <p><b>Fig B</b> 7.4.1.1(10) 9.1.3.2(6) 9.1.3.2(6) <b>K: 22</b></p>	 <p><b>Fig C</b> 2.1.3.1(19) <b>K: 19</b></p>	 <p><b>Fig D</b> 7.4.1.4(11) <b>K: 11</b></p>	 <p><b>Fig E</b> 8.6.22.1(13) 9.1.3.2(6) 9.1.5.1(3) <b>K: 22</b></p>
---	--	--	---	---

### ADV9

 <p><b>Fig A</b> 1.1.1.1(2) 9.4.3.4(17) <b>K: 19</b></p>	 <p><b>Fig B</b> 8.4.1.1(13) <b>K: 13</b></p>	 <p><b>Fig C</b> 6.2.1.1(17) <b>K: 17</b></p>	 <p><b>Fig D</b> 8.5.2.1(10) 9.1.2.2(9) <b>K: 19</b></p>	 <p><b>Fig E</b> 1.2.3.1(12) 9.1.2.2(9) <b>K: 21</b></p>
---	--	--	--	---

# ADV10

